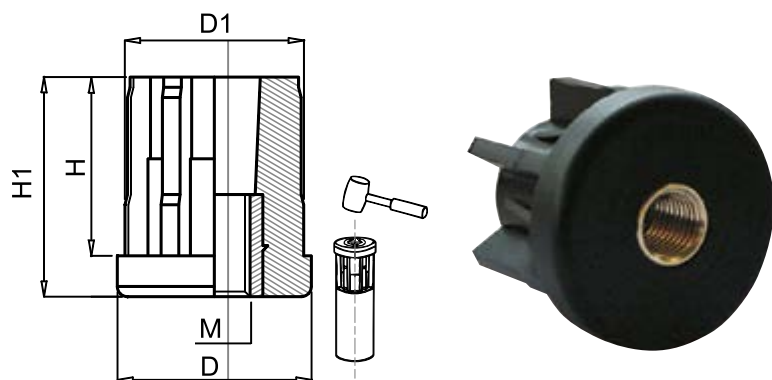


Embouts de tubes

Embout à insert taraudé
Tube rond

CODE	EXTÉRIEUR TUBE	EPAISSEUR TUBE	DIMENSIONS					CHARGE MAXI
			M	D	D1	H1	H	
FA-098VR301008	30	1.0	M8	30.0	28.5	33	27	5 000
FA-098VR301010			M10	30.0	28.5	33	27	5 000
FA-098VR301012			M12	30.0	28.5	33	27	5 000
FA-098VR301014			M14	30.0	28.5	33	27	5 000
FA-098VR301016			M16	30.0	28.5	33	27	5 000
FA-098VR301508	30	1.5	M8	30.0	27.5	33	27	5 000
FA-098VR301510			M10	30.0	27.5	33	27	5 000
FA-098VR301512			M12	30.0	27.5	33	27	5 000
FA-098VR301514			M14	30.0	27.5	33	27	5 000
FA-098VR301516			M16	30.0	27.5	33	27	5 000
FA-098VR302008	30	2.0	M8	30.0	26.5	33	27	5 000
FA-098VR302010			M10	30.0	26.5	33	27	5 000
FA-098VR302012			M12	30.0	26.5	33	27	5 000
FA-098VR302014			M14	30.0	26.5	33	27	5 000
FA-098VR302016			M16	30.0	26.5	33	27	5 000
FA-098VR302508	30	2.5	M8	30.0	25.5	33	27	5 000
FA-098VR302510			M10	30.0	25.5	33	27	5 000
FA-098VR302512			M12	30.0	25.5	33	27	5 000
FA-098VR302514			M14	30.0	25.5	33	27	5 000
FA-098VR302516			M16	30.0	25.5	33	27	5 000
FA-098VR381510	38	1.5	M10	38.0	35.5	43	35	6 000
FA-098VR381512			M12	38.0	35.5	43	35	6 000
FA-098VR381514			M14	38.0	35.5	43	35	6 000
FA-098VR381516			M16	38.0	35.5	43	35	6 000
FA-098VR382010	38	2.0	M10	38.0	34.5	43	35	6 000
FA-098VR382012			M12	38.0	34.5	43	35	6 000
FA-098VR382014			M14	38.0	34.5	43	35	6 000
FA-098VR382016			M16	38.0	34.5	43	35	6 000
FA-098VR382510	38	2.5	M10	38.0	33.5	43	35	6 000
FA-098VR382512			M12	38.0	33.5	43	35	6 000
FA-098VR382514			M14	38.0	33.5	43	35	6 000
FA-098VR382516			M16	38.0	33.5	43	35	6 000
FA-098VR421510	42.4	1.5	M10	42.4	39.9	43	35	8 000
FA-098VR421512			M12	42.4	39.9	43	35	8 000
FA-098VR421514			M14	42.4	39.9	43	35	8 000
FA-098VR421516			M16	42.4	39.9	43	35	8 000
FA-098VR421520			M20	42.4	39.9	43	35	8 000
FA-098VR422010	42.4	2.0	M10	42.4	38.9	43	35	8 000
FA-098VR422012			M12	42.4	38.9	43	35	8 000
FA-098VR422014			M14	42.4	38.9	43	35	8 000
FA-098VR422016			M16	42.4	38.9	43	35	8 000
FA-098VR422020			M20	42.4	38.9	43	35	8 000
FA-098VR422510	42.4	2.5	M10	42.4	37.9	43	35	8 000
FA-098VR422512			M12	42.4	37.9	43	35	8 000

Suite page suivante...